



SW12310W(12V310W)



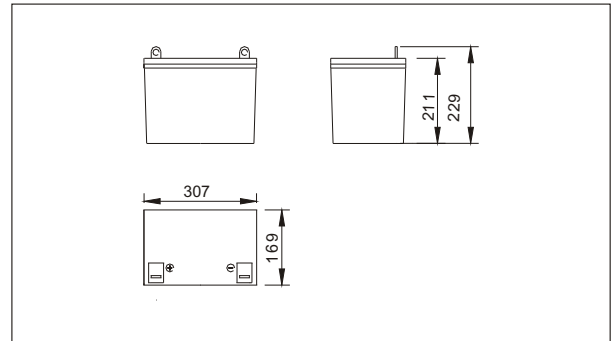
Specifications

Nominal Voltage		12V
CAPACITY(15 minutes rate to 1.67V/cell)		310 W
Dimensions	Total Height	229 mm (9.02 inches)
	Height	211 mm (8.31 inches)
	Length	307 mm (12.1 inches)
	Width	169 mm (6.65 inches)
Weight Approx		27.5 Kg (60.5 lbs)

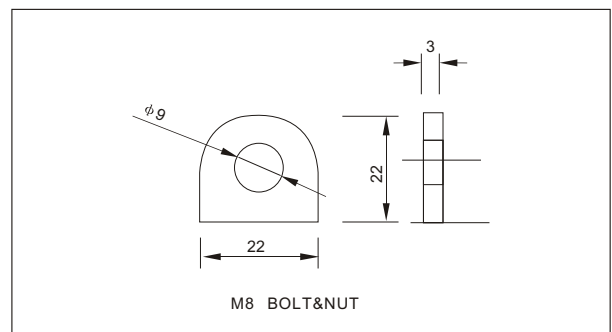
Characteristics

Capacity 25°C(77°F)	60min rate	557W
	30min rate	976W
	15min rate	1860W
	5min rate	3578W
Internal Resistance	Full charged Battery at 25°C(77°F)	3.5 mΩ
Capacity affected by Temperature (20hour rate)	40°C(104°F)	102%
	25°C(77°F)	100%
	0°C(32°F)	85%
	-15°C(5°F)	65%
Self-Discharge at 25 °C(77 °F)	Capacity after 3 month storage	91%
	Capacity after 6 month storage	82%
	Capacity after 12 month storage	64%
Terminal		T10、T16
Charge (constant Voltage)	Cycle	Initial Charging Current less than 36A Voltage 14.10-14.40V
	Float	Voltage 13.50-13.80V

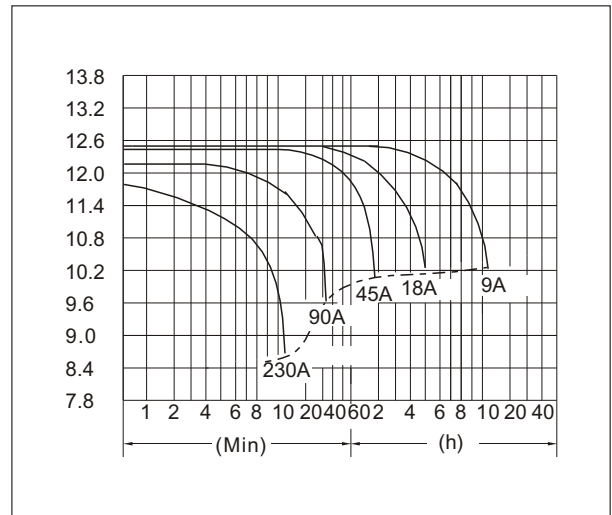
Outer dimensions (mm)



Terminal Type (mm)



Discharge Curves 25 °C(77°F)



Constant power discharge:watts(25°C, 77 °F)

	5min	10min	15min	20min	30min	40min	45min	50min	60min	90min
9.60V	3578	2453	1901	1566	1168	940	860	786	674	501
10.02V	3398	2373	1858	1540	1141	913	828	765	658	484
10.2V	3345	2283	1816	1502	1120	892	818	754	642	468
10.5V	3143	2230	1768	1476	1099	871	791	722	616	445
10.8V	2617	1996	1566	1370	977	812	706	674	557	428
11.1V	2193	1784	1423	1264	908	765	664	637	524	407

Constant current discharge unit:A(25°C, 77 °F)

	5min	10min	15min	20min	30min	40min	45min	50min	60min	90min
9.60V	338.9	230.1	177.9	146.0	108.8	87.1	79.5	72.6	62.1	46.1
10.02V	315.9	218.6	170.8	140.7	104.4	83.4	75.5	69.1	59.4	43.7
10.2V	307.9	208.8	164.6	136.3	100.9	80.6	73.8	67.6	57.4	41.9
10.5V	283.2	200.9	154.0	131.8	93.8	77.5	67.8	64.2	52.4	39.3
10.8V	231.8	175.2	136.3	119.5	84.8	70.4	61.2	58.2	48.2	36.8
11.1V	193.8	156.6	124.8	109.7	79.1	66.3	57.4	54.9	45.2	35.0