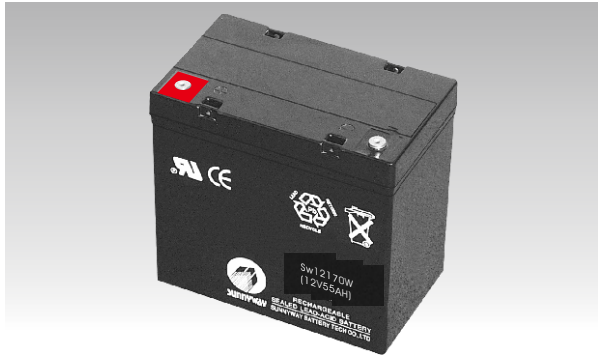




SW12170W(12V170W)



Specifications

Nominal Voltage	12V	
CAPACITY(15 minutes rate to 1.67V/cell)	170W	
Rated capacity (10 hour rate)	55Ah	
Dimensions	Total Height	226mm (8.90 inches)
	Height	208 mm (8.19 inches)
	Length	230 mm (9.10 inches)
	Width	138 mm (5.43 inches)
Weight Approx	17.0 Kg (37.4 lbs)	

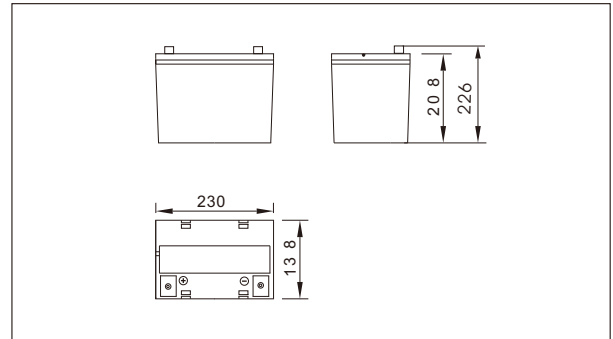
Characteristics

Capacity 25°C(77°F)	30min rate 15min rate 5min rate	615W 1020W 1800W
Internal Resistance	Full charged Battery at 25°C(77°F)	6.5 mΩ
Capacity affected by Temperature (20hour rate)	40°C(104°F) 25°C(77°F) 0°C(32°F) -15°C(5°F)	102% 100% 85% 65%
Self-Discharge at 25°C(77°F)	Capacity after 3 month storage Capacity after 6 month storage Capacity after 12 month storage	91% 82% 64%
Terminal	T9、T16	
Charge (constant Voltage)	Cycle	Initial Charging Current less than 11A Voltage 14.10-14.40V
	Float	Voltage 13.50-13.80V

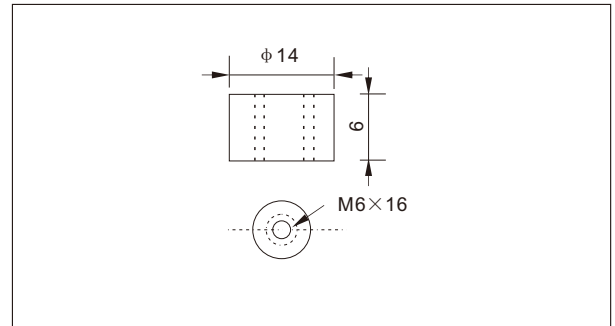
Constant power discharge :watts(25°C , 77 °F)

	5min	10min	15min	20min	30min	45min	60min	90min
9.60V	1800	1346	1043	860	641	472	370	275
10.02V	1723	1303	1020	845	627	455	361	266
10.2V	1646	1253	997	825	615	449	353	257
10.5V	1571	1224	970	810	603	434	338	245
10.8V	1494	1096	860	752	536	388	306	235
11.1V	1330	979	781	694	498	364	288	223

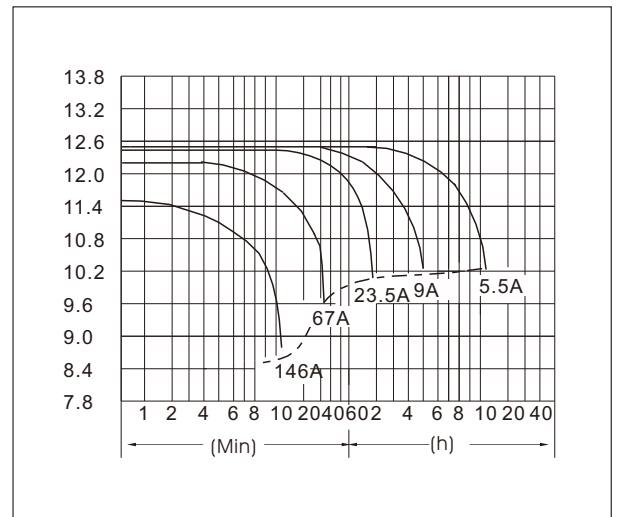
Outer dimensions (mm)



Terminal Type (mm)



Discharge Curves 25°C(77°F)



Constant current discharge unit:A(25°C , 77 °F)

	5min	15min	30min	45min	60min	90min	5h	10h
9.60V	205.9	118.8	72.7	53.1	41.5	30.8	9.2	6.0
10.02V	195.0	114.0	69.7	50.4	39.7	29.2	9.1	5.9
10.2V	181.4	109.9	67.4	49.3	38.4	28.0	9.0	5.7
10.5V	167.7	102.8	62.6	45.3	35.0	26.2	8.9	5.5
10.8V	159.9	91.0	56.6	40.9	32.2	24.6	8.8	5.4
11.1V	140.4	83.3	52.8	38.4	30.2	23.3	8.6	5.3