



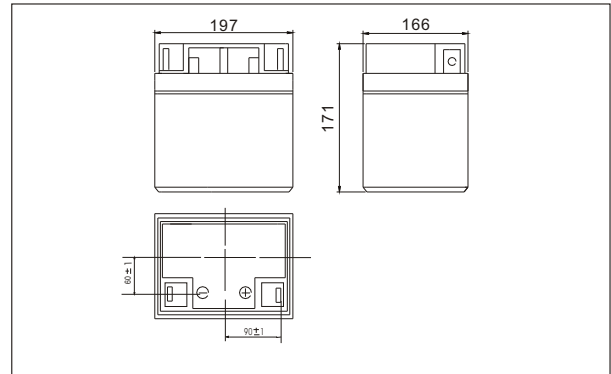
# SW12420(12V42AH)



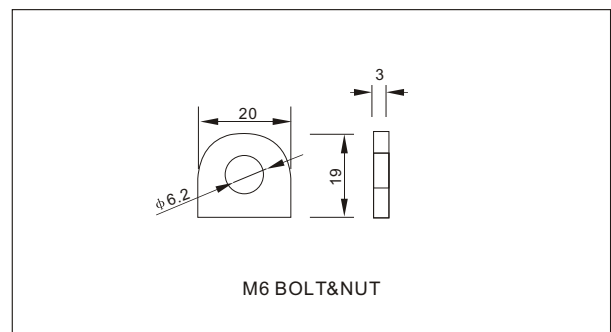
### Specifications

|                               |                   |                      |
|-------------------------------|-------------------|----------------------|
| Nominal Voltage               | 12V               |                      |
| Rated capacity (10 hour rate) | 42 Ah             |                      |
| Dimensions                    | Total Height      | 171 mm (6.73 inches) |
|                               | Height            | 171 mm (6.73 inches) |
|                               | Length            | 197 mm (7.73 inches) |
|                               | Width             | 166mm (6.54 inches)  |
| Weight Approx                 | 13.0 Kg (28.6lbs) |                      |

### Outer dimensions (mm)



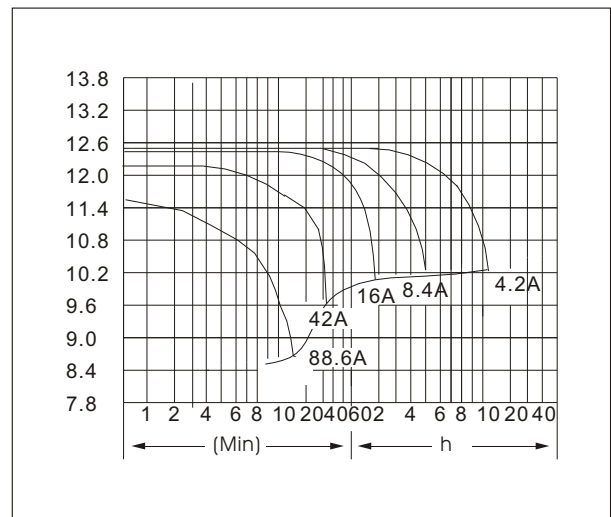
### Terminal Type (mm)



### Characteristics

|  |                                    |   |
|--|------------------------------------|---|
| Capacity<br>25°C(77°F)                         | 10 hour rate(4.20A)                | 42.0 AH   |
|  | 5 hour rate(6.72A)                 | 33.6 AH   |
|  | 1 hour rate(25.2A)                 | 25.2 AH   |
|  | 1.5 hour discharge to 10.5V        | 16.8 A  |
| Internal Resistance                            | Full charged Battery at 25°C(77°F) | 8 m Ω   |
| Capacity affected by Temperature (10hour rate) | 40°C(104°F)                        | 102%  |
|  | 25°C(77°F)                         | 100%  |
|  | 0°C(32°F)                          | 85%   |
|  | -15°C(5°F)                         | 65%   |
| Self-Discharge at 25°C(77°F)                   | Capacity after 3 month storage     | 91%   |
|  | Capacity after 6 month storage     | 82%   |
|  | Capacity after 12 month storage    | 64%   |
| Terminal                                       | T9                                 |   |
| Charge (constant Voltage)                      | Cycle                              | Initial Charging Current less than 16.8 A<br>Voltage 14.10-14.40V Time 10~12h |
|  | Float                              | Voltage 13.50-13.80V  |

### Discharge Curves 25°C(77°F)



### Constant Current(Amp) and Constant Power(Watt) Discharge Table at 25°C(77°F)

| Time   |   | 5min | 10min | 15min | 30min | 1h   | 2h   | 3h   | 4h  | 5h  | 8h   | 10h  | 20h  |
|--------|---|------|-------|-------|-------|------|------|------|-----|-----|------|------|------|
| 9.60V  | A | 135  | 89    | 71    | 47.9  | 25.2 | 14.7 | 10.8 | 8.4 | 6.9 | 4.91 | 4.41 | 2.38 |
|        | W | 1388 | 946   | 766   | 515   | 272  | 161  | 120  | 95  | 79  | 56   | 51   | 27.7 |
| 10.20V | A | 130  | 80    | 67    | 45.8  | 23.7 | 14.0 | 10.5 | 8.2 | 6.8 | 4.79 | 4.33 | 2.31 |
|        | W | 1391 | 893   | 753   | 514   | 268  | 162  | 122  | 95  | 79  | 56   | 51   | 27.1 |
| 10.50V | A | 126  | 72    | 59    | 42.8  | 22.9 | 13.7 | 10.2 | 8.1 | 6.7 | 4.75 | 4.24 | 2.31 |
|        | W | 1376 | 814   | 672   | 493   | 266  | 159  | 119  | 94  | 79  | 56   | 50   | 27.3 |
| 10.80V | A | 121  | 67    | 55    | 39.5  | 22.2 | 13.4 | 10.0 | 7.9 | 6.6 | 4.62 | 4.20 | 2.27 |
|        | W | 1363 | 777   | 630   | 457   | 258  | 156  | 118  | 94  | 77  | 55   | 50   | 27.0 |
| 11.10V | A | 117  | 63    | 50    | 35.3  | 21.4 | 13.0 | 9.7  | 7.7 | 6.4 | 4.49 | 3.99 | 2.14 |
|        | W | 1331 | 731   | 588   | 413   | 252  | 154  | 115  | 92  | 76  | 54   | 48.2 | 26.0 |