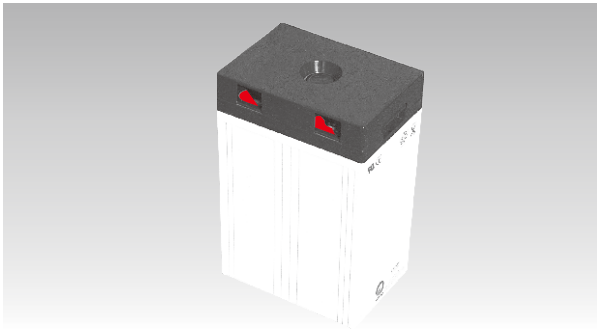
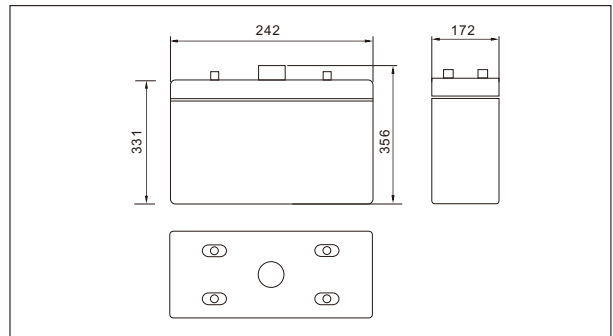




SW24500(2V450AH)



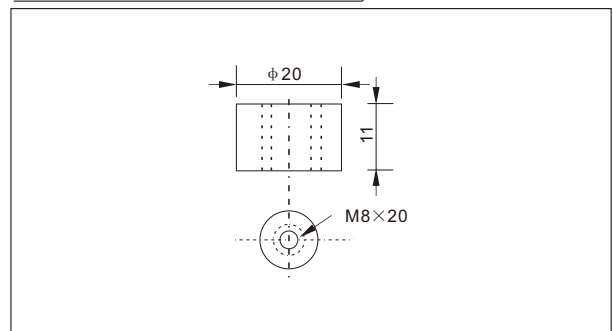
Outer dimensions (mm)



Specifications

Nominal Voltage		2 V
Rated capacity (10 hour rate)		450 Ah
Dimensions	Total Height	365 mm (14.4 inches)
	Height	331 mm (13.0 inches)
	Length	242 mm (9.5 inches)
	Width	172 mm (6.8 inches)
Weight Approx		28.5 Kg (62.8 lbs)

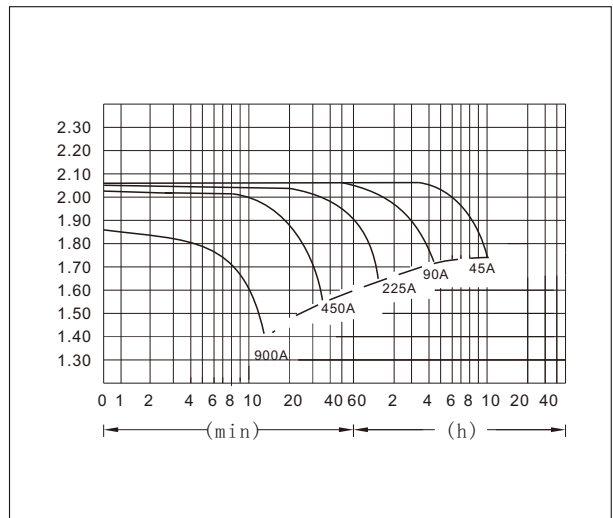
Terminal Type (mm)



Characteristics

Capacity 25°C(77°F)	10 hour rate(45 A)	450 AH
	5 hour rate(72A)	360 AH
	1 hour rate(270 A)	270 AH
	1.5 hour discharge to 1.75 V	180 A
Internal Resistance	Full charged Battery at 25°C(77°F)	0.6 mΩ
Capacity affected by Temperature (10hour rate)	40°C(104°F)	102%
	25°C(77°F)	100%
	0°C(32°F)	85%
	-15°C(5°F)	65%
Self-Discharge at 25°C(77°F)	Capacity after 3 month storage	91%
	Capacity after 6 month storage	82%
	Capacity after 12 month storage	64%
Terminal		T20
Charge (constant Voltage)	Cycle	Initial Charging Current less than 112.5 A Voltage 2.35-2.40V
	Float	Voltage 2.25-2.30V

Discharge Curves 25°C(77°F)



Constant Current(Amp) and Constant Power(Watt) Discharge Table at 25°C(77°F)

Time		10min	30min	1h	2h	3h	4h	5h	8h	10h	20h
		1.60V	A	895.5	513.0	270.0	157.5	116.1	90.0	75.79	52.1
	W	1760	918	522	306	225	175.5	144.0	99.0	92.3	49.0
1.70V	A	850.5	499.5	253.8	150.3	112.5	87.8	74.3	51.2	46.6	25.2
	W	1692	909	491	288	216	171.0	139.5	99.0	87.8	48.2
1.75V	A	805.5	459.0	247.5	146.7	109.8	86.4	73.6	50.6	45.9	24.9
	W	1638	855	473	284	212	166.5	137.7	97.7	86.9	47.3
1.80V	A	760.5	423.0	238.5	143.1	107.1	85.1	69.3	49.3	45.0	24.6
	W	1575	824	455	279	207	162.9	135.0	94.5	86.4	46.8
1.85V	A	715.5	378.0	225.0	139.5	103.5	82.5	68.0	48.0	43.9	24.3
	W	1485	756	441	275	207	159.8	134.1	90.5	85.5	46.1