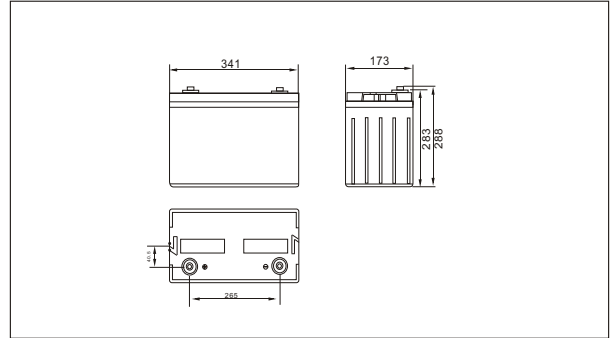




SW121340(12V134AH)



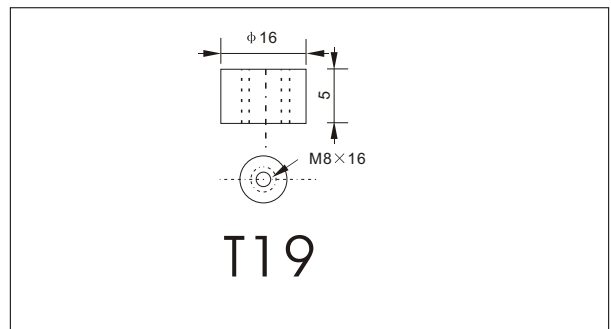
Outer dimensions (mm)



Specifications

| | | |
|------------------------------|--------------|-----------------------|
| Nominal Voltage | | 12V |
| Rated capacity (10hour rate) | | 134 Ah |
| Dimensions | Total Height | 288 mm (11.33inches) |
| | Height | 283 mm (11.14 inches) |
| | Length | 341 mm (13.42 inches) |
| | Width | 173 mm (6.81 inches) |
| Weight Approx | | 41.5 Kg (91.7lbs) |

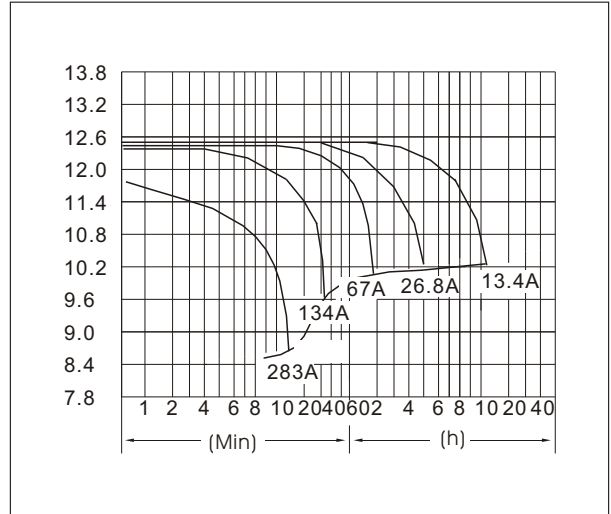
Terminal Type (mm)



Characteristics

| | | |
|--|---|---|
| Capacity 25°C(77°F) | 10 hour rate(13.4 A) 5 hour rate(21.4 A) 1 hour rate(80.4 A) | 134 AH 107AH 80.4 AH |
| Internal Resistance | Full charged Battery at 25°C(77°F) | 4.0 m Ω |
| Capacity affected by Temperature (10hour rate) | 40°C(104°F) 25°C(77°F) 0°C(32°F) -15°C(5°F) | 102% 100% 85% 65% |
| Self-Discharge at 25°C(77°F) | Capacity after 3 month storage Capacity after 6 month storage Capacity after 12 month storage | 91% 82% 64% |
| Terminal | T19 | |
| Charge (constant Voltage) | Cycle | Initial Charging Current less than 53.4 A Voltage 14.10-14.40V |
| | Float | Voltage 13.50-13.80V |

Discharge Curves 25°C(77°F)



Constant Current(Amp) and Constant Power(Watt) Discharge Table at 25°C(77°F)

| Time | | 5min | 10min | 15min | 30min | 1h | 2h | 3h | 4h | 5h | 8h | 10h | 20h |
|--------|---|--------|--------|--------|--------|-------|-------|-------|-------|--------|--------|--------|-------|
| 960V | A | 429.2 | 282.7 | 227.9 | 152.8 | 80.4 | 46.9 | 34.4 | 26.8 | 22.11 | 15.68 | 14.07 | 7.60 |
| | W | 4429.4 | 3019.7 | 2443.9 | 1642.5 | 868.3 | 515.0 | 385.4 | 301.5 | 251.39 | 179.67 | 162.51 | 88.35 |
| 1020V | A | 415.7 | 255.1 | 214.7 | 146.1 | 75.6 | 44.8 | 33.5 | 26.1 | 21.71 | 15.28 | 13.80 | 7.37 |
| | W | 4414.4 | 2848.8 | 2402.1 | 1639.7 | 854.8 | 512.6 | 383.9 | 300.7 | 250.47 | 178.73 | 161.48 | 86.58 |
| 1050V | A | 402.1 | 228.2 | 187.7 | 136.7 | 73.2 | 43.7 | 32.7 | 25.7 | 21.44 | 15.14 | 13.53 | 7.32 |
| | W | 4391.3 | 2596.0 | 2142.4 | 1572.9 | 847.2 | 506.6 | 377.1 | 299.6 | 249.56 | 178.07 | 160.13 | 86.35 |
| 1080V | A | 387.5 | 215.1 | 174.5 | 126.0 | 70.8 | 42.6 | 31.9 | 25.3 | 20.90 | 14.74 | 13.40 | 7.24 |
| | W | 4348.1 | 2480.2 | 2009.9 | 1459.4 | 823.6 | 499.1 | 376.0 | 299.0 | 247.09 | 174.67 | 159.27 | 86.18 |
| 11.10V | A | 374.5 | 201.5 | 161.1 | 112.6 | 68.3 | 41.5 | 30.8 | 24.7 | 20.37 | 14.34 | 12.73 | 6.83 |
| | W | 4247.2 | 2333.8 | 1874.8 | 1317.0 | 803.7 | 491.0 | 366.1 | 293.7 | 243.07 | 171.71 | 153.68 | 82.83 |