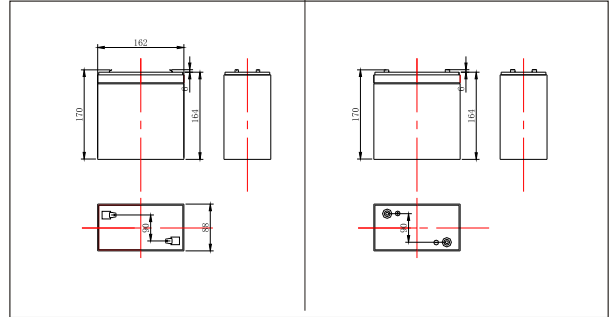




# Sw6360(6V36AH)



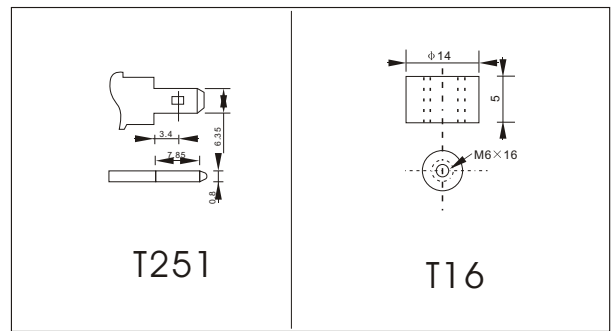
## Outer dimensions (mm)



## Specifications

Nominal Voltage		6V
Rated capacity (10 hour rate)		36 Ah
Dimensions	Total Height	170 mm (6.69 inches)
	Height	164 mm (6.46 inches)
	Length	162 mm (6.38 inches)
	Width	88mm (3.46inches)
Weight Approx		5.9Kg (13.04lbs)

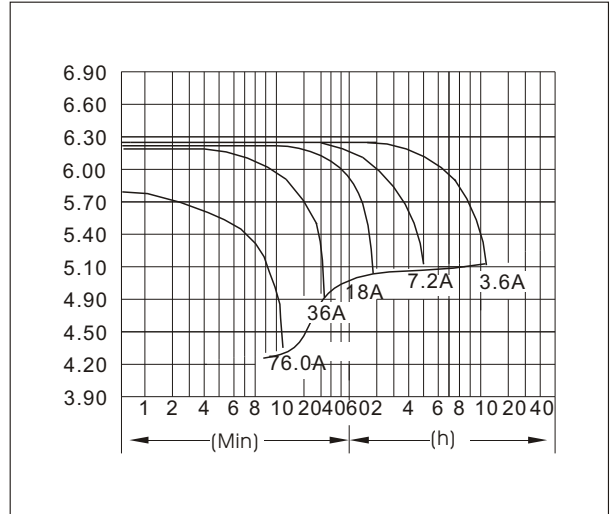
## Terminal Type (mm)



## Characteristics

Capacity 25°C(77°F)	10 hour rate(3.6 A) 5 hour rate(5.76 A) 1 hour rate(21.6 A)	36.0 AH 28.8 AH 21.6 AH
Internal Resistance	Full charged Battery at 25°C(77°F)	Approx 4.0 mΩ
Capacity affected by Temperature (10hour rate)	40°C(104°F) 25°C(77°F) 0°C(32°F) -15°C(5°F)	102% 100% 85% 65%
Self-Discharge at 25°C(77°F)	Capacity after 3 month storage Capacity after 6 month storage Capacity after 12 month storage	91% 82% 64%
Terminal	T251 T16	
Charge (constant Voltage)	Cycle	Initial Charging Current less than 14.4 A Voltage 7.05-7.2V
	Float	Voltage 6.75-6.90V

## Discharge Curves 25°C(77°F)



Constant Current(Amp) and Constant Power(Watt) Discharge Table at 25°C(77°F)

Time		5min	10min	15min	30min	1h	2h	3h	4h	5h	8h	10h	20h
4.80V	A	115	76	61	41	22	13	9	7.2	5.9	4.2	3.8	2.0
	W	595	406	328	221	117	69	51	40.5	33.8	24.1	21.8	11.9
5.10V	A	112	69	58	39	20	12	9	7.0	5.8	4.1	3.7	2.0
	W	596	383	323	220	115	69	52	40.8	34.0	24.0	21.8	11.6
5.25V	A	108	61	50	37	20	12	9	6.9	5.8	4.1	3.6	2.0
	W	590	349	288	211	114	68	51	40.4	33.8	23.9	21.5	11.7
5.40V	A	104	58	47	34	19	11	9	6.8	5.6	4.0	3.6	1.9
	W	584	333	270	196	111	67	51	40.2	33.2	23.5	21.4	11.6
5.55V	A	101	54	43	30	18	11	8	6.6	5.5	3.9	3.4	1.8
	W	571	313	252	177	108	66	49	39.4	32.7	23.1	20.6	11.1