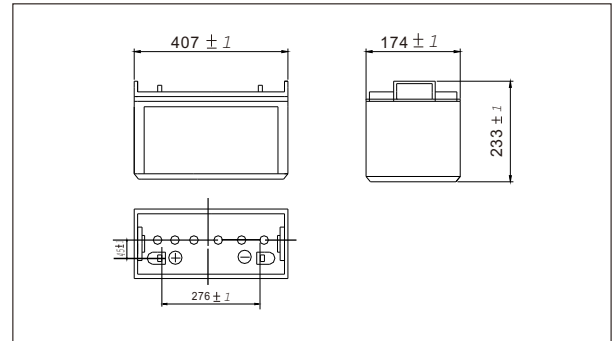




SW121200E(12V120AH)



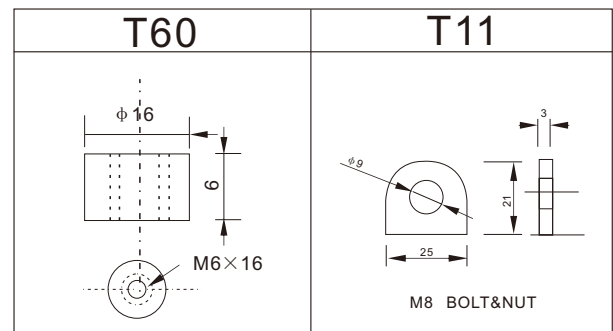
● Outer dimensions (mm)



● Specifications

| | | |
|-------------------------------|------------------|----------------------|
| Nominal Voltage | 12V | |
| Rated capacity (10 hour rate) | 120 Ah | |
| Dimensions | Total Height | 233 mm (9.17 inches) |
| | Height | 233 mm (9.17 inches) |
| | Length | 407 mm (16.0 inches) |
| | Width | 174 mm (6.85 inches) |
| Weight Approx | 35 Kg (77.2 lbs) | |

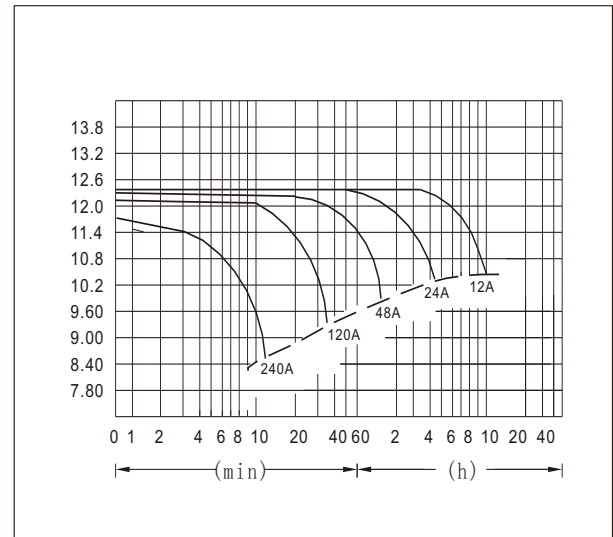
● Terminal Type (mm)



● Characteristics

| | | |
|--|------------------------------------|--|
| Capacity 25°C(77°F) | 10 hour rate(12.0 A) | 120 AH |
| | 5 hour rate(19.2 A) | 96.0 AH |
| | 1 hour rate(72.0A) | 72.0 AH |
| | 1.5 hour discharge to 10.5V | 48.0 A |
| Internal Resistance | Full charged Battery at 25°C(77°F) | 4.0 mΩ |
| Capacity affected by Temperature (20hour rate) | 40°C(104°F) | 102% |
| | 25°C(77°F) | 100% |
| | 0°C(32°F) | 85% |
| | -15°C(5°F) | 65% |
| Self-Discharge at 25°C(77°F) | Capacity after 3 month storage | 91% |
| | Capacity after 6 month storage | 82% |
| | Capacity after 12 month storage | 64% |
| Terminal | T60、T11 | |
| Charge (constant Voltage) | Cycle | Initial Charging Current less than 30.0A Voltage 14.10-14.40V |
| | Float | Voltage 13.50-13.80V |
| Design Life | 10 Year | |

● Discharge Curves 25°C(77°F)



Constant Current(Amp) and Constant Power(Watt) Discharge Table at 25°C(72°F)

| Time | | 10min | 30min | 1h | 2h | 3h | 4h | 5h | 8h | 10h | 20h |
|--------|---|-------|-------|-------|-------|------|------|-------|-------|-------|------|
| | | 9.60V | A | 240.0 | 132.0 | 72.0 | 42.0 | 31.2 | 25.2 | 21.4 | 13.9 |
| | W | 2544 | 1406 | 770 | 454 | 340 | 277 | 235.0 | 154.3 | 146.5 | 76.6 |
| 10.20V | A | 228.0 | 130.8 | 67.7 | 40.1 | 30.6 | 24.6 | 20.9 | 13.7 | 12.4 | 6.7 |
| | W | 2508 | 1445 | 751 | 449 | 346 | 279 | 237 | 155 | 141 | 76 |
| 10.50V | A | 216.0 | 122.4 | 66.0 | 39.1 | 30.0 | 24.0 | 20.4 | 13.5 | 12.2 | 6.6 |
| | W | 2419 | 1377 | 746 | 446 | 344 | 276 | 235 | 155 | 141 | 76 |
| 10.80V | A | 204.0 | 112.8 | 63.6 | 38.2 | 29.4 | 23.4 | 18.2 | 13.1 | 12.0 | 6.6 |
| | W | 2315 | 1286 | 728 | 441 | 341 | 273 | 212 | 153 | 140 | 76 |
| 11.10V | A | 192.0 | 100.8 | 60.0 | 37.2 | 28.2 | 22.8 | 17.4 | 12.8 | 11.7 | 6.5 |
| | W | 2208 | 1164 | 696 | 435 | 331 | 269 | 205 | 151 | 138 | 76 |