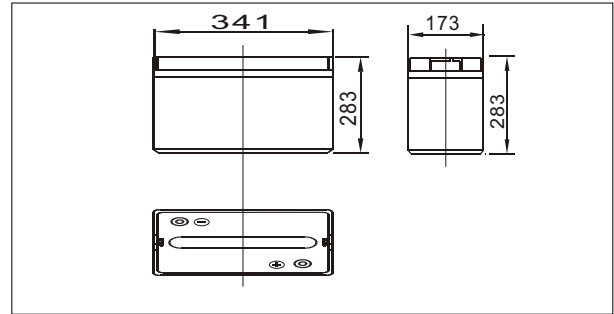




SWE121340(12V134AH)



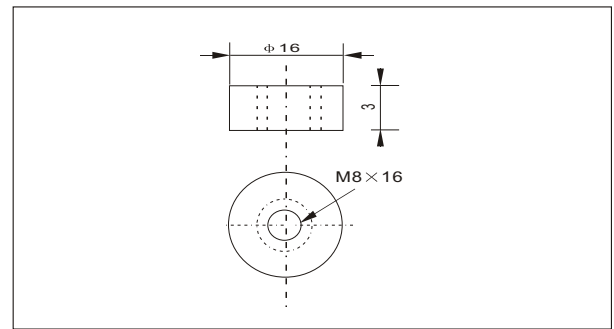
Outer dimensions (mm)



Specifications

Nominal Voltage		12V
Rated capacity (10 hour rate)		134 Ah
Dimensions	Total Height	283 mm (11.14inches)
	Height	283 mm (11.14 inches)
	Length	341mm (13.43inches)
	Width	173 mm (6.81 inches)
Weight Approx		41 Kg (90.4lbs)

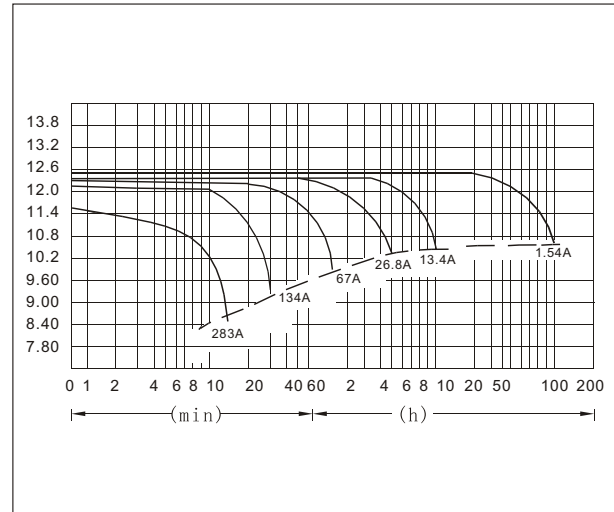
Terminal Type (mm)



Characteristics

Capacity 25°C(77°F)	10 hour rate(13.4 A)	134 AH
	5 hour rate(21.4 A)	107.2AH
	1 hour rate(73.7A)	73.7 AH
Internal Resistance	1.5 hour discharge to 10.5V	53.6A
	Full charged Battery at 25°C(77°F)	5.5 mΩ
Capacity affected by Temperature (10hour rate)	40°C(104°F)	102%
	25°C(77°F)	100%
	0°C(32°F)	85%
	-15°C(5°F)	65%
Self-Discharge at 25°C(77°F)	Capacity after 3 month storage	91%
	Capacity after 6 month storage	82%
	Capacity after 12 month storage	64%
Terminal		T19
Charge (constant Voltage)	Cycle	Initial Charging Current less than 37.5 A Voltage 14.10-14.40V
	Float	Voltage 13.50-13.80V

Discharge Curves 25°C(77°F)



Constant Current(Amp) and Constant Power(Watt)Discharge Table at 25°C(77°F)

Time		10min	30min	1h	3h	4h	5h	8h	10h	20h	50h	100h
9.60V	A	283	153	80	34.4	26.8	22.1	15.6	14.1	7.60	3.16	1.62
	W	3140	1637	931	399	310	256	180	163	88.0	37.7	19.3
10.20V	A	275	149	75.6	33.5	26.1	21.7	15.2	13.7	7.41	3.06	1.58
	W	3020	1621	875	388	303	251	177	159	85.8	36.3	18.8
10.50V	A	263	142	73	32.7	25.7	21.4	15.1	13.4	7.32	3.00	1.54
	W	2927	1530	847	379	298	248	175	157	84.7	35.8	18.4
10.80V	A	245	137	71	31.9	25.3	20.9	14.7	13.1	7.24	2.95	1.53
	W	2813	1473	810	371	292	243	172	156	84.2	35.1	18.2
11.10V	A	225	126	67	30.8	24.6	20.4	14.3	12.73	6.87	2.89	1.47
	W	2764	1461	789	367	290	242	171	151	81.8	34.4	17.6